

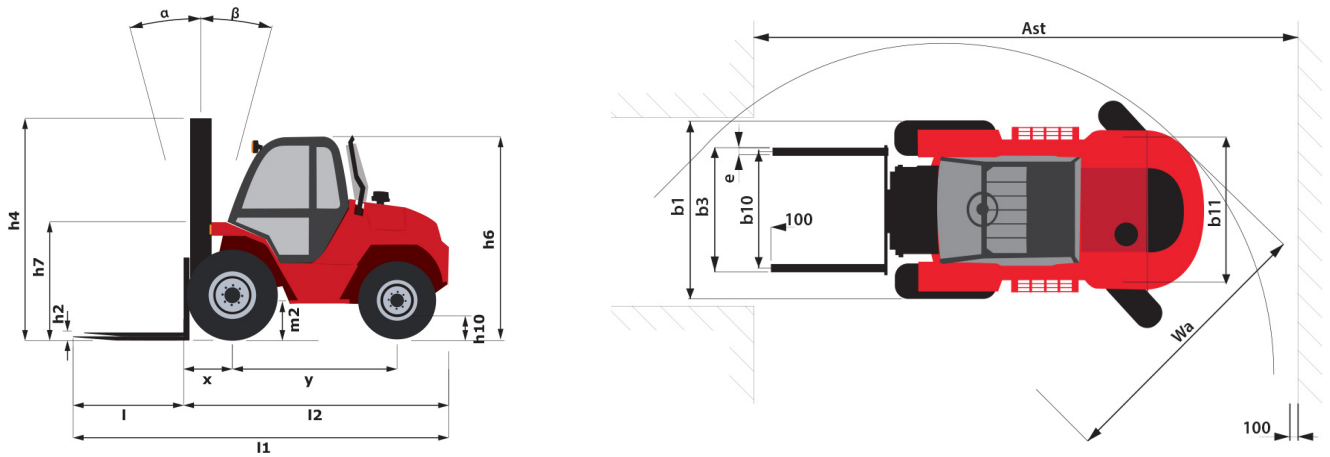
Technical sheet :

M-X 70-2



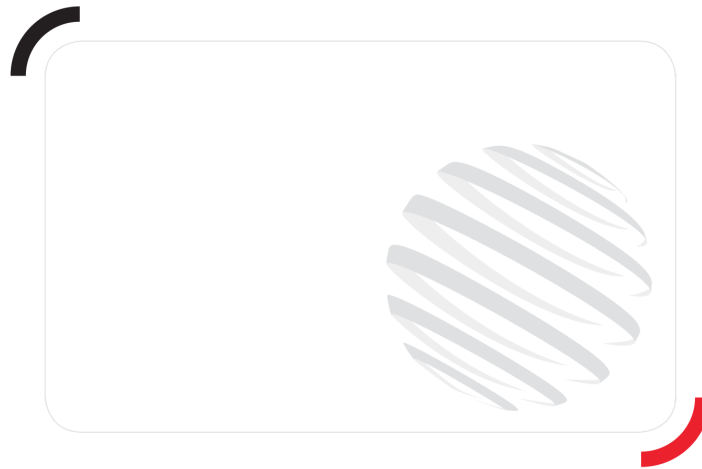
Technical characteristics			Metric	Imperial
1.1	Manufacturer		Manitou	Manitou
1.2	Model Name		M-X 70-2	M-X 70-2
1.3	Power source		Diesel	Diesel
1.4	Operator type		Seated	Seated
1.5	Max. capacity	Q	7000 kg	15432 lbs
1.6	Load centre of gravity	c	600 mm	23.622 in
1.8	Load distance, centre of drive axle to fork	x	803 mm	31.614 in
1.9	Wheelbase	y	2.49 mm	0.098 in
Weight				
2.1	Service Weight		9880 kg	21782 lbs
2.2	Weight on front axle (laden) / rear axle (laden)		14954 kg / 1926 kg	32968 lbs / 4246 lbs
2.3	Weight on front axle (Unladen) / rear axle (Unladen)		4040 kg / 5840 kg	8907 lbs / 12875 lbs
Wheels				
3.1	Tyres type		Pneumatic	Pneumatic
3.2	Dimensions of front wheels		18R185 8T N20XF	18R185 8T N20XF
3.3	Dimensions of rear wheels		265/70R19,5 6T P30 HT3	265/70R19,5 6T P30 HT3
3.5	Number of front wheels / rear wheels		2 / 2	2 / 2
3.2	Number of drive wheels		2	2
3.6	Front wheel gauge	b10	1700 mm	66.929 in
3.7	Rear wheel gauge	b11	1545 mm	5068 ft 11 in
Dimensions				
4.1	Tilt of Mast Forward (deg) / Backward (deg)	α / β	6 / 12	6 / 12
4.7	Height of overhead guard (cabin)	h6	2475 mm	97.441 in
4.8	Seat height/stand height	h7	1485 mm	58.465 in
4.12	Height of towing bar (coupling height)	h10	690 mm	27.165 in
4.19	Overall length	l1	5700 mm	224.409 in
4.20	Length to face of forks	l2	4200 mm	165.354 in
4.21	Overall width	b1	2155 mm	84.843 in
4.22	Forks section / width / length	s / e / l	70 mm x 150 mm / 1200 mm	2.756 in x 5.906 in / 47.244 in
4.23	Fork carriage ISO 2328 (class/form) A/B		FEM4	FEM4
4.24	Fork carriage width	b3	1750 mm	68.898 in
4.31	Ground clearance below mast	m1	300 mm	11.811 in
4.32	Ground clearance at centre of wheelbase	m2	410 mm	16.142 in
4.33	Aisle width for 1000 x 1200 pallet widthways	Ast	6703 mm	263.898 in
4.34	Aisle width for 800 x 1200 pallet lengthways	Ast	6703 mm	263.898 in
4.35	Turning radius	Wa	4200 mm	165.354 in
4.36	Internal turning radius (over tyres)	b13	1000 mm	39.37 in
Performances				
5.1	Travel speed (laden)		24 km/h	14.9 mph
5.2	Lifting speed (unladen)		0.4 m/s	1.31 ft/s
5.3	Lowering speed (unladen)		0.4 m/s	1.31 ft/s
5.5	Drawbar pull (Laden)		7960 daN	7960 daN
Engine				
7.1	Engine brand		Perkins	Perkins

Dimensional drawing



Characteristics of masts and residual capacities

Full Visibility Duplex		FVD 36	FVD 40	FVD 45
h3 - Lifting Height	mm	3600	4000	4500
α / β - Mast inclination (front / rear)	°	15 / 15	15 / 15	15 / 15
Residual capacity without attachment (Industrial load chart)	kg	7000	7000	5000
Residual capacity with integrated side shift (Industrial load chart)	kg		6350	3850



Siège Social

430 rue de l'Aubinière - 44150 Ancenis Cedex - France

Tel: +33(0)2 40 09 10 11 - Fax: +33 (0)2 40 09 10 97

www.manitou.com



This brochure describes versions and configuration options for Manitou products which may be fitted with different equipment. The equipment described in this brochure may be standard, optional or not available depending on version. Manitou reserves the right to change the specifications shown and described at any time and without prior warning. The manufacturer is not liable for the specifications given. For more information, contact your Manitou dealer. Non-contractual document. Product descriptions may differ from actual products. List of specifications is not comprehensive. The logos and visual identity of the company are the property of Manitou and may not be used without authorisation. All rights reserved. The photos and diagrams contained in this brochure are provided for information only.

MANITOU BF SA - Limited company with board of directors - Share capital: 39,668,399 euros - 857 802 508
RCS Nantes