

Technical sheet :

MLT 420 60 H



Capacities		Metric	Imperial
Max. capacity	Q	2000 kg	4409 lbs
Max. lifting height	h3	4.35 m	14 ft 3 in
Max. outreach	l4	2.65 m	8 ft 8 in
Reach at max. height		1 m	3 ft 3 in
Breakout force with bucket		1886 daN	1886 daN
Weight and dimensions			
Unladen weight (with forks)		4190 kg	9237 lbs
Ground clearance	m4	0.24 m	9 in
Wheelbase	y	2.13 m	7 ft
Overall length to carriage (with hitch hook)	l11	3.64 m	11 ft 11 in
Front overhang		1.04 m	3 ft 5 in
Overall width	b1	1.49 m	4 ft 11 in
Overall cab width	b4	0.8 m	2 ft 7 in
Overall height	h17	1.97 m	6 ft 6 in
Tilt-down angle	a5	116 °	116 °
Tilt-up angle	a4	12 °	12 °
External turning radius (over tyres)	Wa1	3.06 m	10 ft
Standard tyres		Camso - 12-16.5 12PR SKS 532	Camso - 12-16.5 12PR SKS 532
Drive wheels (front / rear)		2 / 2	2 / 2
Steering wheels (front / rear)		2 / 2	2 / 2
Performances			
Lifting		5 s	5 s
Lowering		3.5 s	3.5 s
Extension		4.8 s	4.8 s
Retraction		3 s	3 s
Crowd		3.3 s	3.3 s
Dump		2.7 s	2.7 s
Engine			
Engine brand		Kubota	Kubota
Engine norm		Stage V	Stage V
Engine model		V2607-CR-E5B	V2607-CR-E5B
Number of cylinders - Capacity of cylinders		4 - 2615 cm ³	4 - 159.58 in ³
I.C. Engine power rating / Power (kW)		57 Hp / 42 kW	57 Hp / 42 kW
Max. torque / Engine rotation		174 @1600 tr/min	174 @1600 tr/min
Drawbar pull (Laden)		2850 daN	2850 daN
Reversible fan		Standard	Standard
Engine cooling system		2 radiators water hydraulic oil	2 radiators water hydraulic oil
Transmission			
Transmission type		Hydrostatic	Hydrostatic
Number of gears (forward / reverse)		2 / 2	2 / 2
Max. travel speed (may vary according to applicable regulations)		24.9 km/h	15.5 mph
Differential lock		Limited slip differential on front axle	Limited slip differential on front axle
Parking brake		Automatic negative parking brake	Automatic negative parking brake
Service brake		Oil-immersed multi-discs on front & rear axles	Oil-immersed multi-discs on front & rear axles
Hydraulics			
Hydraulic pump type		Gear Pump	Gear Pump
Hydraulic flow - Pressure		77 l/min - 235 Bar	77 l/min - 16 PSI
Tank capacities			
Hydraulic oil		70 l	15.4 gal
Fuel tank		60 l	13.2 gal
Noise and vibration			
Noise at driving position (LpA) tested following NF EN 12053 norm		76 dB(A)	76 dB(A)
Environmental noise (LwA)		104 dB(A)	104 dB(A)
Vibration to whole hand/arm		< 2.50 m/s ²	< 2.50 m/s ²
Miscellaneous			
Safety tractor homologation / cabin homologation		Cab ROPS - FOPS Level 1	Cab ROPS - FOPS Level 1
Controls		JSM	JSM

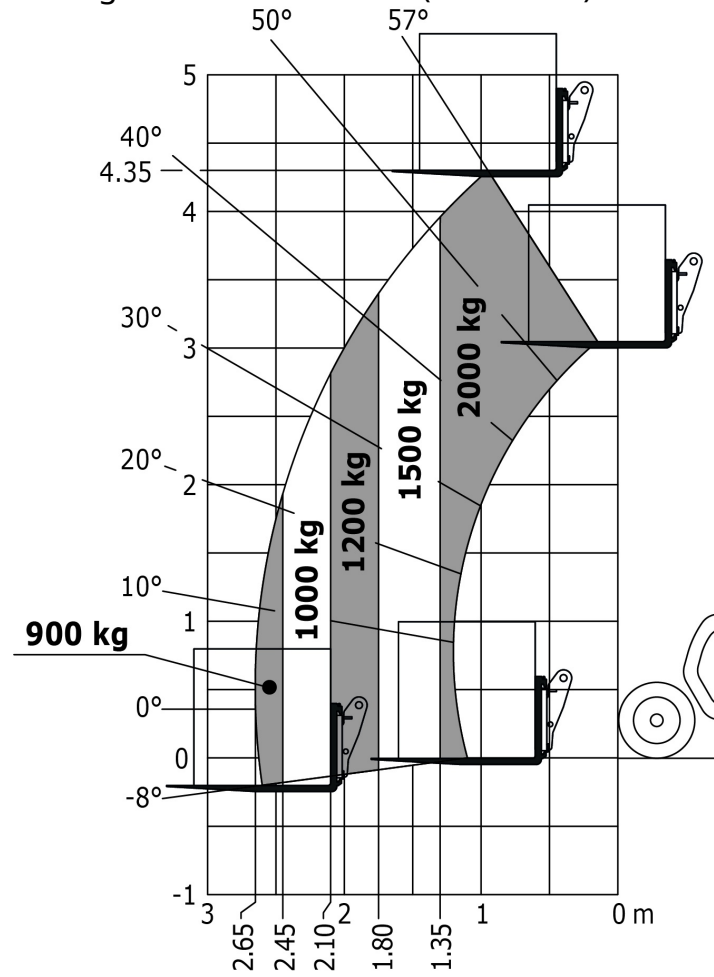
Options / Finishing

S : Standard / O : Optional / - : Not available

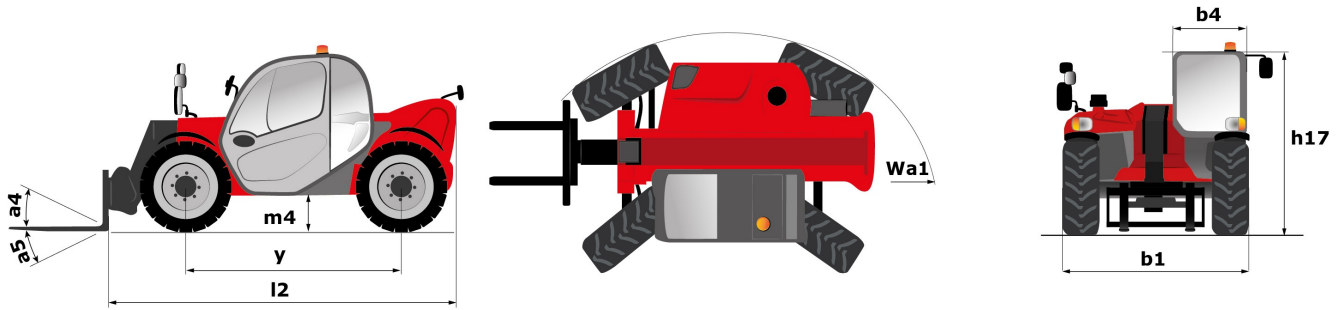
	Classic	Premium	Elite
General			
Manual rotating towing hitch	O	O	-
Comfort			
Mechanical cloth-covered seat (GRAMMER)	S	-	-
Air suspension cloth-covered seat (GRAMMER)	-	S	-
Tuner car radio (50 W)	S	-	-
Air conditioning with manual adjustment	O	S	-
Hydraulics			
Hydraulic attachment locking	O	O	-
Electricity / Safety			
Front and rear work lights on cab (x4: 2 front + 2 rear)	S	-	-
Front and rear LED work lights on cab (x4 : 2 front + 2 rear)	O	S	-
Poultry farming blue lights	O	O	-
Work lights on boom head (x2)	O	O	-
Boom options			
Easy Connect System (E.C.S.)	S/O**	S	-
Continuous flow hydraulics	O	O	-
Return pipe to hydraulic oil tank	O	O	-
Electrovalve for 2 hydraulic functions (on boom head)	O	O	-

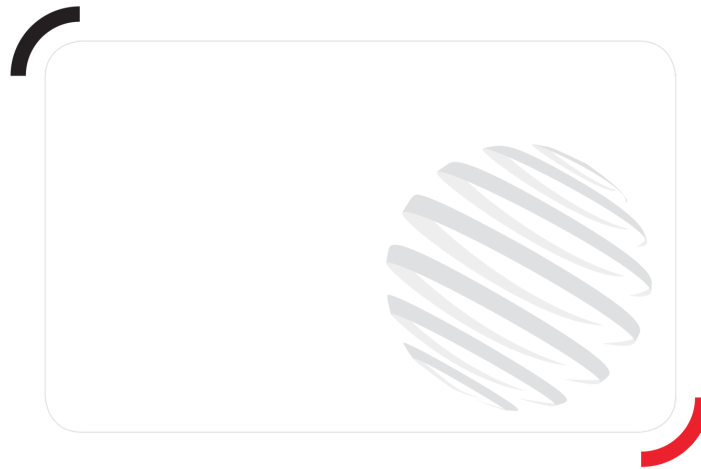
Load chart

Rough terrain load chart (EN 1459 B) Metric



Dimensional drawing





Siège Social
430 rue de l'Aubinière - 44150 Ancenis Cedex - France
Tel: +33(0)2 40 09 10 11 - Fax: +33 (0)2 40 09 10 97
www.manitou.com



This brochure describes versions and configuration options for Manitou products which may be fitted with different equipment. The equipment described in this brochure may be standard, optional or not available depending on version. Manitou reserves the right to change the specifications shown and described at any time and without prior warning. The manufacturer is not liable for the specifications given. For more information, contact your Manitou dealer. Non-contractual document. Product descriptions may differ from actual products. List of specifications is not comprehensive. The logos and visual identity of the company are the property of Manitou and may not be used without authorisation. All rights reserved. The photos and diagrams contained in this brochure are provided for information only.

MANITOU BF SA - Limited company with board of directors - Share capital: 39,547,824 euros - 857 802 508
RCS Nantes