

Technical sheet :

MRT 2550 PRIVILEGE PLUS



| Capacities | | Metric | Imperial |
|--|-----------|---|---|
| Max. capacity | Q | 4999 kg | 11021 lbs |
| Max. lifting height | h3 | 24.7 m | 81 ft |
| Max. Reach | l4 | 21.4 m | 70 ft 3 in |
| Weight and dimensions | | | |
| Ground clearance | m4 | 0.35 m | 1 ft 2 in |
| Wheelbase | y | 3.05 m | 10 ft |
| Length to face of forks | l2 | 7.84 m | 25 ft 9 in |
| Length of frame | l14 | 5.35 m | 17 ft 7 in |
| Overall length (with forks) | l1 | 7.84 m | 25 ft 9 in |
| Overall width | b1 | 2.49 m | 8 ft 2 in |
| Overall width with stabilisers extended | b7 | 5.55 m | 18 ft 3 in |
| Overall height | h17 | 3.05 m | 10 ft |
| Overall cab width | b4 | 0.99 m | 3 ft 3 in |
| Tilt-down angle | a5 | 102 ° | 102 ° |
| Tilt-up angle | a4 | 13 ° | 13 ° |
| Forks length / width / section | l / e / s | 1200 mm x 50 mm x 15 mm | 47.244 in x 1.969 in x 0.591 in |
| Turret rotation | | 360 ° | 360 ° |
| Outer frame turning radius | Wa3 | 5.23 m | 17 ft 2 in |
| Internal turning radius (over tyres) | b13 | 1.7 m | 5 ft 7 in |
| Overall weight | | 18900 kg | 41667 lbs |
| Wheels | | | |
| Tyres type | | Pneumatic | Pneumatic |
| Steering wheels (front / rear) | | 2 / 2 | 2 / 2 |
| Drive wheels (front / rear) | | 2 / 2 | 2 / 2 |
| Stabilisers | | | |
| Stabs Type | | Telescopic Duplex | Telescopic Duplex |
| Controls with stabs | | Stabs Commands Individual or Simultaneous | Stabs Commands Individual or Simultaneous |
| Engine | | | |
| Engine brand | | Mercedes | Mercedes |
| Engine norm | | Stage IV / Tier 4 Final | Stage IV / Tier 4 Final |
| Engine model | | OM 934 E4-5 | OM 934 E4-5 |
| I.C. Engine power rating / Power (kW) | | 156 Hp / 115 kW | 156 Hp / 115 kW |
| Max. torque / Engine rotation | | 1500 @ 1200 tr/min | 1500 @ 1200 tr/min |
| Number of cylinders - Capacity of cylinders | | 3400 - 5130 cm ³ | 3400 - 313.05 in ³ |
| Injection | | engine Injection direct | engine Injection direct |
| Engine cooling system | | Water | Water |
| Number of batteries | | 2 | 2 |
| Battery / Batteries capacity | | 12 V / 120 A | 12 V / 120 A |
| Drawbar pull (Laden) | | 8700 daN | 8700 daN |
| Transmission | | | |
| Transmission type | | Hydrostatic | Hydrostatic |
| Number of gears (forward / reverse) | | 2 / 2 | 2 / 2 |
| Max. travel speed (may vary according to applicable regulations) | | 40 km/h | 24.9 mph |
| Parking brake | | Automatic Negative Hand-brake | Automatic Negative Hand-brake |
| Service brake | | Hydraulic | Hydraulic |
| Hydraulics | | | |
| Hydraulic pump type | | Gear Pump | Gear Pump |
| Hydraulic flow | | 115 l/min | 115 l/min |
| Hydraulic Pressure | | 275 Bar | 19 PSI |
| Tank capacities | | | |
| Engine oil | | 225 l | 49.49 gal |
| Hydraulic oil | | 225 l | 49.49 gal |
| Fuel tank | | 305 l | 67.09 gal |
| Diesel Exhaust fluid (AdBlue® type) | | 57 l | 12.54 gal |
| Noise and vibration | | | |
| Noise at driving position (LpA) | | 77.4 dB(A) | 77.4 dB(A) |
| Noise to environment (LwA) | | 107 dB(A) | 107 dB(A) |
| Vibration to whole hand/arm | | < 2.50 m/s ² | < 2.50 m/s ² |
| Miscellaneous | | | |
| Controls | | 2 Joysticks | 2 Joysticks |

Miscellaneous

Safety cabin homologation

Attachment recognition system (E-Reco)

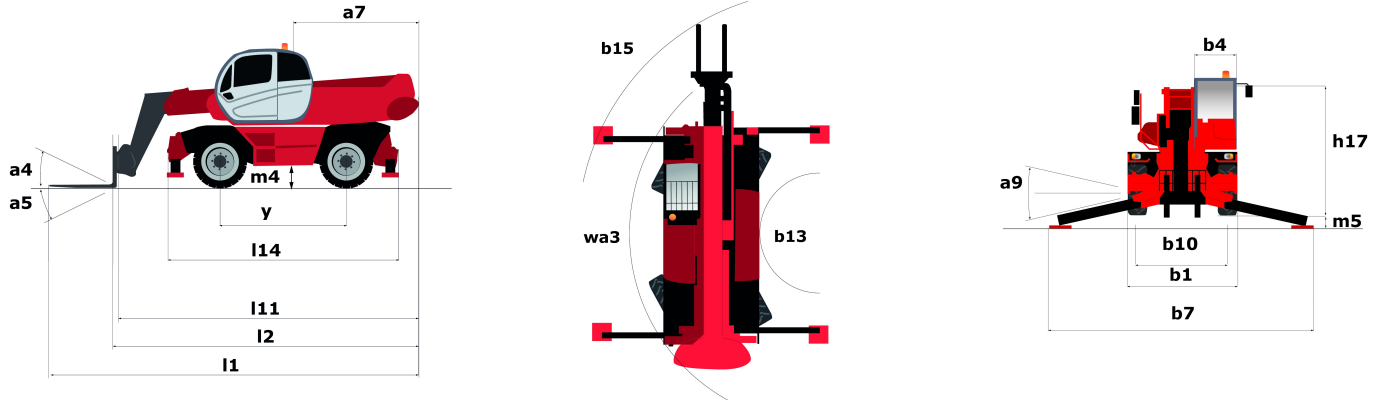
Cab ROPS - FOPS Level 2

Standard

Cab ROPS - FOPS Level 2

Standard

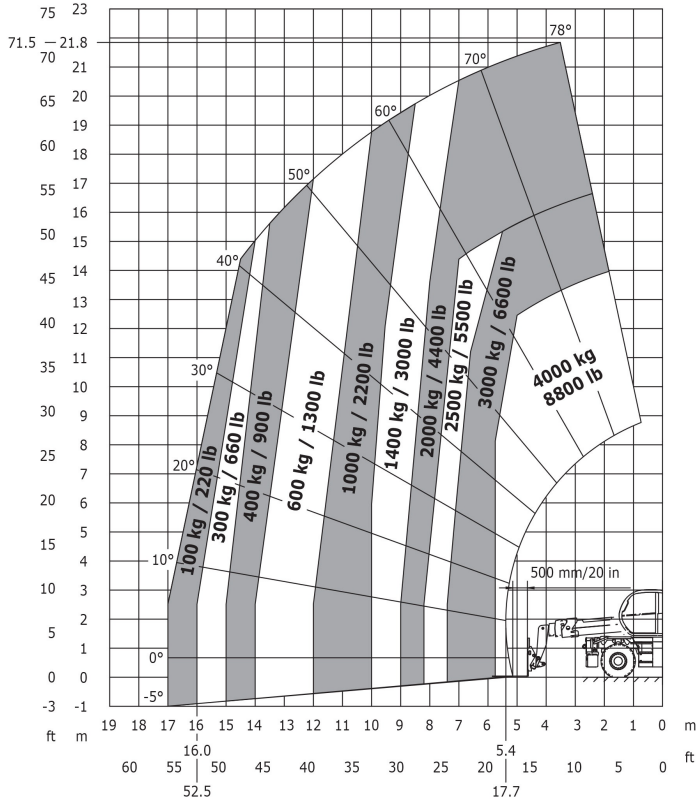
Dimensional drawing



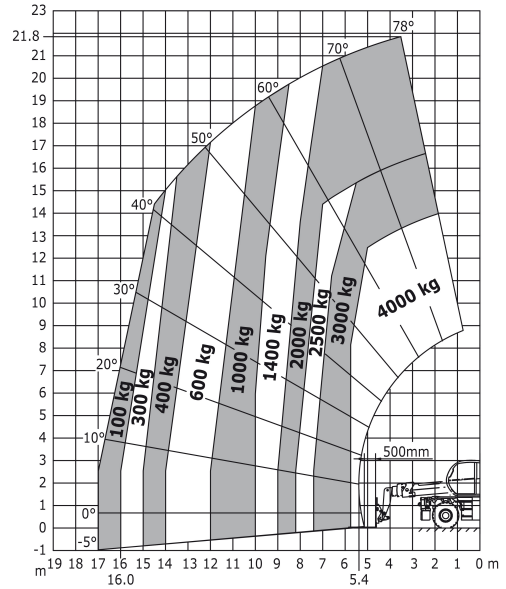
| Other data | | Metric | Imperial |
|---|----------|--------|------------|
| Overall length (with forks) | l_1 | 7.84 m | 25 ft 9 in |
| Length to face of forks | l_2 | 7.84 m | 25 ft 9 in |
| Length of frame | l_{14} | 5.35 m | 17 ft 7 in |
| Wheelbase | y | 3.05 m | 10 ft |
| Ground clearance | m_4 | 0.35 m | 1 ft 2 in |
| Counterweight offset (turret at 90°) | a_7 | 3.18 m | 10 ft 5 in |
| Tilt-up angle | a_4 | 13 ° | 13 ° |
| Tilt-down angle | a_5 | 102 ° | 102 ° |
| Overall length at stabilisers | l_{12} | 5.55 m | 18 ft 3 in |
| Outer frame turning radius | Wa_3 | 5.23 m | 17 ft 2 in |
| Outer turning radius (with forks) | b_{15} | 5.23 m | 17 ft 2 in |
| Overall width | b_1 | 2.49 m | 8 ft 2 in |
| Overall width with stabilisers extended | b_7 | 5.55 m | 18 ft 3 in |
| Overall cab width | b_4 | 0.99 m | 3 ft 3 in |
| Overall height | h_{17} | 3.05 m | 10 ft |
| Frame Levelling Corrector | a_9 | 8 ° | 8 ° |

Load chart

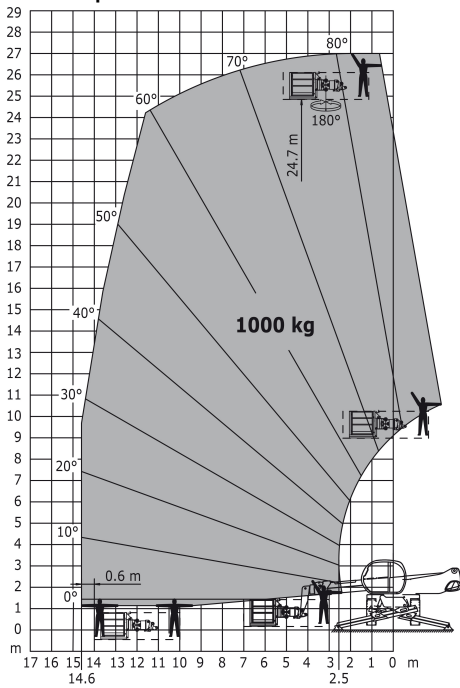
Load Chart metric



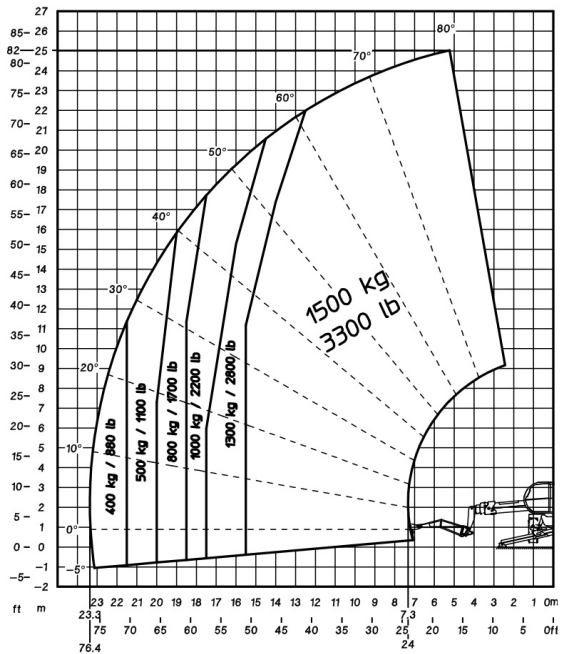
Machine on tyres with forks Metric



Rotation on lowered stabilisers with 1000 kg platform Metric



Rotation on lowered stabilisers with 1500 kg jib Metric

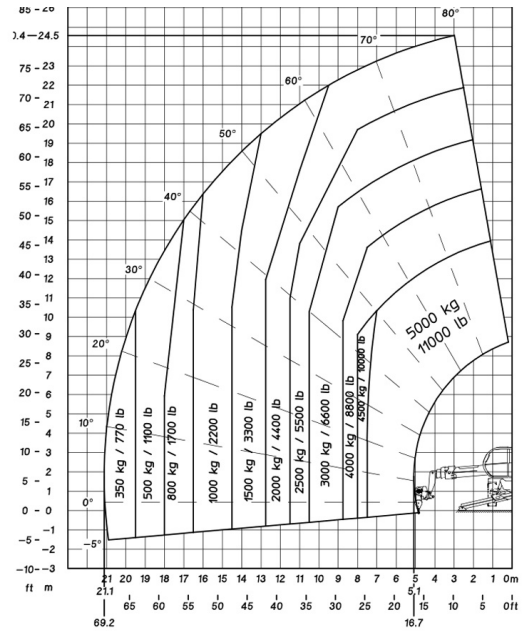
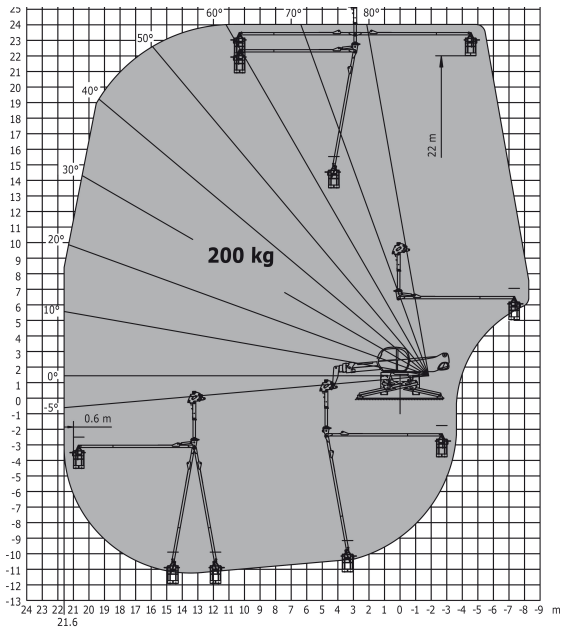


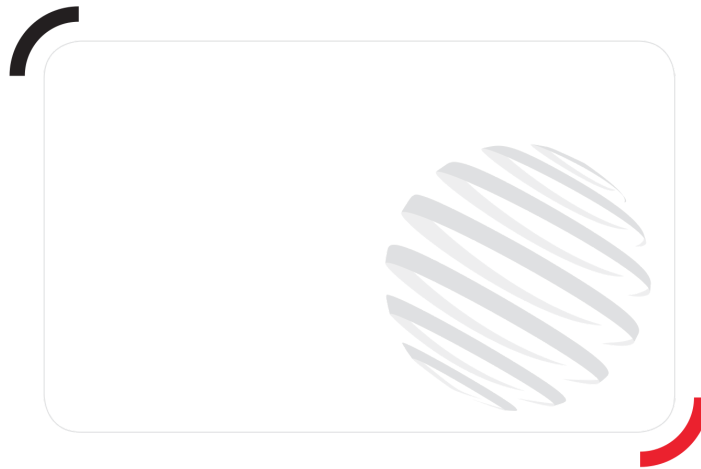
Rotation on lowered stabilisers with 3D negative Metric



Rotation on lowered stabilisers with winch 5000 kg Metric







Siège Social
430 rue de l'Aubinière - 44150 Ancenis Cedex - France
Tel: +33(0)2 40 09 10 11 - Fax: +33 (0)2 40 09 10 97
www.manitou.com



This brochure describes versions and configuration options for Manitou products which may be fitted with different equipment. The equipment described in this brochure may be standard, optional or not available depending on version. Manitou reserves the right to change the specifications shown and described at any time and without prior warning. The manufacturer is not liable for the specifications given. For more information, contact your Manitou dealer. Non-contractual document. Product descriptions may differ from actual products. List of specifications is not comprehensive. The logos and visual identity of the company are the property of Manitou and may not be used without authorisation. All rights reserved. The photos and diagrams contained in this brochure are provided for information only.

MANITOU BF SA - Limited company with board of directors - Share capital: 39,547,824 euros - 857 802 508
RCS Nantes