

Technical sheet :

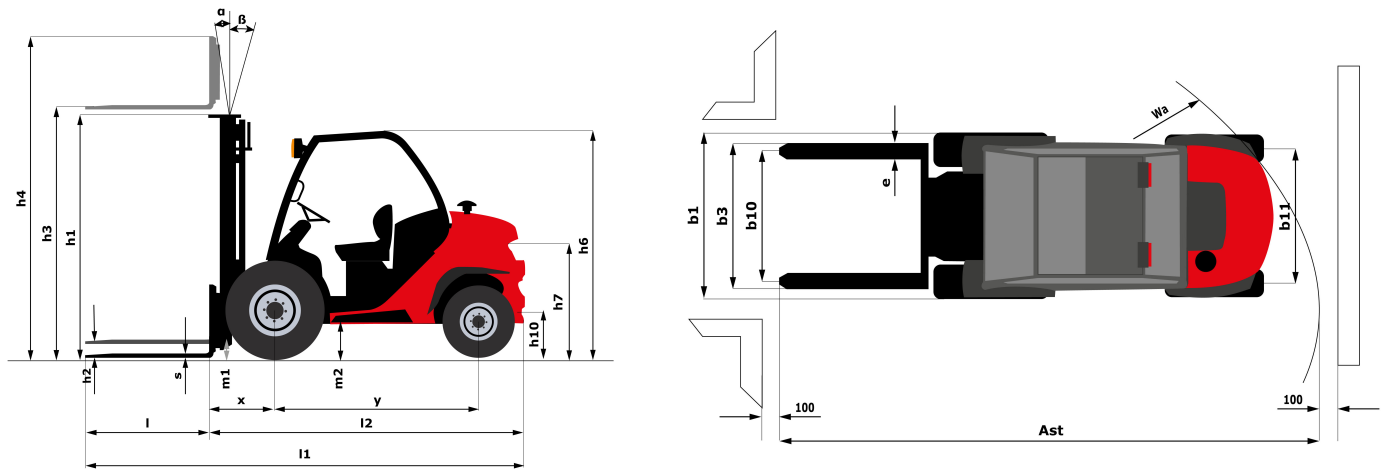
MSI 30 3B - FT4



Technical characteristics			Metric	Imperial
1.1	Manufacturer		Manitou	Manitou
1.2	Model Name		MSI 30 3B - FT4	MSI 30 3B - FT4
1.3	Power source		Diesel	Diesel
1.4	Operator type		Seated	Seated
1.5	Max. capacity	Q	3000 kg	6614 lbs
1.6	Load centre of gravity	c	500 mm	19.685 in
1.8	Load distance, centre of drive axle to fork	x	630 mm	24.803 in
1.9	Wheelbase	y	1800 mm	70.866 in
Weight				
2.1	Service Weight		4705 kg	10373 lbs
2.2	Weight on front axle (laden) / rear axle (laden)		6780 kg / 925 kg	14947 lbs / 2039 lbs
2.3	Weight on front axle (Unladen) / rear axle (Unladen)		1900 kg / 2805 kg	4189 lbs / 6184 lbs
Wheels				
3.1	Tyres type		Pneumatic	Pneumatic
3.2	Dimensions of front wheels		275/70 R22,5	275/70 R22,5
3.3	Dimensions of rear wheels		7.00x12 14PR	7.00x12 14PR
3.5	Number of front wheels / rear wheels		2 / 2	2 / 2
3.2	Number of drive wheels		2	2
3.6	Front wheel gauge	b10	1046 mm	41.181 in
3.7	Rear wheel gauge	b11	1102 mm	43.386 in
Dimensions				
4.1	Tilt of Mast Forward (deg) / Backward (deg)	α / β	10 / 12	10 / 12
4.7	Overall height of standard overhead guard	h6	2105 mm	82.874 in
4.8	Seat height/stand height	h7	1025 mm	40.354 in
4.12	Height of towing bar (coupling height)	h10	310 mm	12.205 in
4.19	Overall length	l1	4080 mm	160.63 in
4.20	Length to face of forks	l2	2980 mm	117.323 in
4.21	Overall width	b1	1323 mm	52.087 in
4.22	Forks section / width / length	s / e / l	45 mm x 100 mm / 1100 mm	1.772 in x 3.937 in / 43.307 in
4.23	Fork carriage ISO 2328 (class/form) A/B		3A	3A
4.24	Fork carriage width	b3	1260 mm	49.606 in
4.31	Ground clearance below mast	m1	270 mm	10.63 in
4.32	Ground clearance at centre of wheelbase	m2	260 mm	10.236 in
4.33	Aisle width for 1000 x 1200 pallet widthways	Ast	4560 mm	179.528 in
4.34	Aisle width for 800 x 1200 pallet lengthways	Ast	4660 mm	183.465 in
4.35	Turning radius	Wa	2635 mm	103.74 in
4.36	Internal turning radius (over tyres)	b13	150 mm	5.906 in
Performances				
5.1	Travel speed (laden / unladen)		20 km/h / 20 km/h	12.4 mph / 12.4 mph
5.2	Lifting speed (laden / unladen)		0.4 m/s / 0.5 m/s	1.31 ft/s / 1.64 ft/s
5.3	Lowering speed (laden / unladen)		0.5 m/s / 0.4 m/s	1.64 ft/s / 1.31 ft/s
5.5	Drawbar pull (Laden / Unladen)		2460 daN / 1260 daN	2460 daN / 1260 daN
5.7	Gradeability - laden / unladen		24 % / 29 %	24 % / 29 %
5.9	Service brake		Hydraulic	Hydraulic

	Engine			
7.1	Engine brand / model		Kubota / V2403 CR TE4	Kubota / V2403 CR TE4
7.2	Engine power according to ISO 1585		48.6 kW	48.6 kW
7.3	Rated speed		2700 tr/min	2700 tr/min
7.4	Number of cylinders / Capacity of cylinders		4 - 2434 cm ³	4 - 148.53 in ³
	Miscellaneous			
8.1	Type of drive control		Hydraulic	Hydraulic
8.2	Working hydraulic pressure for attachments		185 Bar	13 PSI
8.3	Oil flow rate for attachments		77 l/min	77 l/min

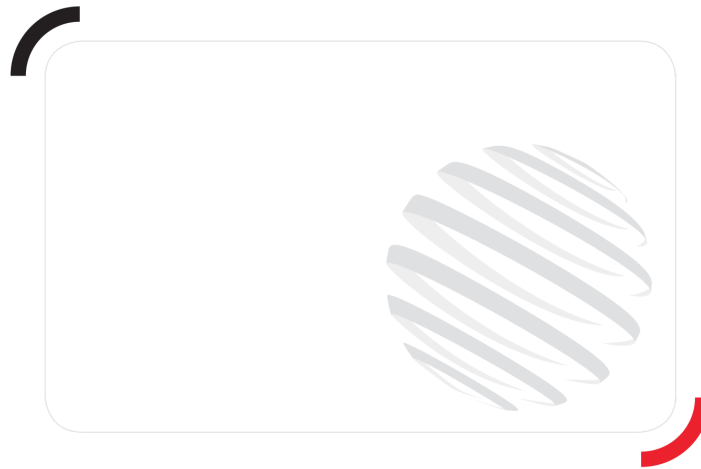
Dimensional drawing



Characteristics of masts and residual capacities

		FVD 30	FVD 33	FVD 35	FVD 37	FVD 40	FVD 45	FVD 50	FVD 55	FVD 60
h2 - Free lift	mm	0	0	0	0	0	0	0	0	0
h1 - Height mast lowered *	mm	2150	2300	2400	2560	2750	3000	3250	3500	3790
h4 - Height mast extended *	mm	3893	4193	4393	4593	4893	5396	5863	6393	6893
α / β - Mast inclination (front / rear)	°	10 / 12	10 / 12	10 / 12	10 / 12	10 / 12	10 / 12	10 / 12	10 / 12	10 / 12
Residual capacity at max height	kg	3000	3000	3000	3000	3000	2600	2400	1900	1500

Free Lift Triplex		FLT 37	FLT 40	FLT 43	FLT 47	FLT 50	FLT 55	FLT 60	FLT 65	FLT 70
h2 - Free lift	mm	1297	1397	1547	1647	1807	1997	2247	2497	2747
h1 - Height mast lowered *	mm	2050	2150	2300	2400	2560	2750	3000	3250	3500
h3 - Lifting Height	mm	3700	4000	4300	4700	5000	5500	6000	6500	7000
h4 - Height mast extended *	mm	4500	4800	5100	5500	5800	6300	6800	7300	7800
α / β - Mast inclination (front / rear)	°	10 / 12	10 / 12	10 / 12	10 / 12	10 / 12	10 / 12	10 / 12	10 / 12	10 / 12
Residual capacity at max height	kg	3000	3000	2800	2600	2400	1900	1500		



Siège Social

430 rue de l'Aubinière - 44150 Ancenis Cedex - France

Tel: +33(0)2 40 09 10 11 - Fax: +33 (0)2 40 09 10 97

www.manitou.com



This brochure describes versions and configuration options for Manitou products which may be fitted with different equipment. The equipment described in this brochure may be standard, optional or not available depending on version. Manitou reserves the right to change the specifications shown and described at any time and without prior warning. The manufacturer is not liable for the specifications given. For more information, contact your Manitou dealer. Non-contractual document. Product descriptions may differ from actual products. List of specifications is not comprehensive. The logos and visual identity of the company are the property of Manitou and may not be used without authorisation. All rights reserved. The photos and diagrams contained in this brochure are provided for information only.

MANITOU BF SA - Limited company with board of directors - Share capital: 39,668,399 euros - 857 802 508
RCS Nantes