

Technical sheet :

# **MSI-X 35**

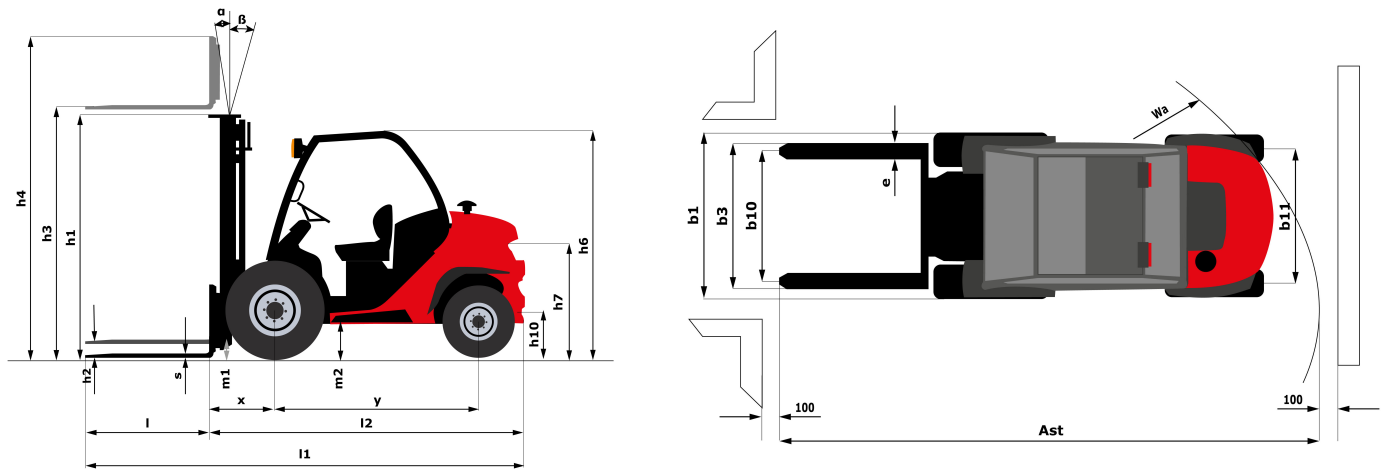
---



Technical characteristics			Metric	Imperial
1.1	Manufacturer		Manitou	Manitou
1.2	Model Name		MSI-X_35	MSI-X_35
1.3	Power source		Diesel	Diesel
1.4	Operator type		Seated	Seated
1.5	Max. capacity	Q	3500 kg	7716 lbs
1.6	Load centre of gravity	c	500 mm	19.685 in
1.8	Load distance, centre of drive axle to fork	x	631 mm	24.843 in
1.9	Wheelbase	y	1900 mm	74.803 in
Weight				
2.1	Service Weight		4645 kg	10240 lbs
2.2	Weight on front axle (laden) / rear axle (laden)		7260 kg / 885 kg	16006 lbs / 1951 lbs
2.3	Weight on front axle (Unladen) / rear axle (Unladen)		1680 kg / 2965 kg	3704 lbs / 6537 lbs
Wheels				
3.1	Tyres type		Pneumatic	Pneumatic
3.2	Dimensions of front wheels		300-15/18 6T P43	300-15/18 6T P43
3.3	Dimensions of rear wheels		7.00-12/12 ED PLUS	7.00-12/12 ED PLUS
3.5	Number of front wheels / rear wheels		2 / 2	2 / 2
3.2	Number of drive wheels		2	2
3.6	Front wheel gauge	b10	1044 mm	41.102 in
3.7	Rear wheel gauge	b11	1108 mm	43.622 in
Dimensions				
4.1	Tilt of Mast Forward (deg) / Backward (deg)	α / β	10 / 12	10 / 12
4.7	Overall height of standard overhead guard	h6	2095 mm	82.48 in
4.8	Seat height/stand height	h7	972 mm	38.268 in
4.19	Overall length	l1	4239 mm	166.89 in
4.20	Length to face of forks	l2	3189 mm	125.551 in
4.21	Overall width	b1	1330 mm	52.362 in
4.22	Forks section / width / length	s / e / l	50 mm x 122 mm / 1150 mm	1.969 in x 4.803 in / 45.276 in
4.23	Fork carriage ISO 2328 (class/form) A/B		3A	3A
4.24	Fork carriage width	b3	1260 mm	49.606 in
4.31	Ground clearance below mast	m1	260 mm	10.236 in
4.32	Ground clearance at centre of wheelbase	m2	238 mm	9.37 in
4.35	Turning radius	Wa	2680 m	8792 ft 8 in
Performances				
5.1	Travel speed (laden / unladen)		18 km/h / 22 km/h	11.2 mph / 13.7 mph
5.2	Lifting speed (laden / unladen)		0.5 m/s / 0.5 m/s	1.64 ft/s / 1.64 ft/s
5.3	Lowering speed (laden / unladen)		0.5 m/s / 0.3 m/s	1.64 ft/s / 0.98 ft/s
5.5	Drawbar pull (Laden / Unladen)		2070 daN / 1380 daN	2070 daN / 1380 daN
5.7	Gradeability - laden / unladen		26 % / 31 %	26 % / 31 %
5.9	Service brake		Hydraulic brakes by loss of pressure	Hydraulic brakes by loss of pressure
Engine				
7.1	Engine brand / model / norm		Kubota / V2403 / Stage III A	Kubota / V2403 / Stage III A
7.2	Engine power according to ISO 1585		36 kW	36 kW
7.3	Rated speed		2700 tr/min	2700 tr/min

	Engine			
7.4	Number of cylinders / Capacity of cylinders		4 - 2434 cm <sup>3</sup>	4 - 148.53 in <sup>3</sup>
	Miscellaneous			
8.1	Type of drive control		Cable	Cable
8.2	Working hydraulic pressure for attachments		180 Bar	12 PSI
8.3	Oil flow rate for attachments		70 l/min	70 l/min
8.4	Measured/guaranteed mean noise level at the ear of the operator		< 80 dB(A)	< 80 dB(A)

## Dimensional drawing



## Characteristics of masts and residual capacities

Full Visibility Duplex		FVD 30	FVD 33	FVD 37	FVD 40	FVD 45
h2 - Free lift	mm	90	90	90	90	90
h1 - Height mast lowered *	mm	2136	2286	2546	2736	2986
h3 - Lifting Height	mm	3000	3300	3700	4000	4500
h4 - Height mast extended *	mm	3738	4038	4438	4738	5238
$\alpha / \beta$ - Mast inclination (front / rear)	°	10 / 12	10 / 12	3500 / 3500	10 / 12	10 / 12
Residual capacity at max height	kg	3500	3500			
Residual capacity without attachment (Industrial load chart)	kg	3500	3500			
Height at max capacity	mm	3000	3700	3700		

Free Lift Triplex		FLT 34	FLT 37	FLT 40	FLT 43	FLT 47	FLT 55	FLT 60
h2 - Free lift	mm	1208	1308	1408	1558	1658	2008	2258
h1 - Height mast lowered *	mm	1936	2036	2136	2286	2386	2736	2986
h3 - Lifting Height	mm	3400	3700	4000	4300	4700	5500	6000
h4 - Height mast extended *	mm	4184	4484	4784	5084	5484	6284	6784
$\alpha / \beta$ - Mast inclination (front / rear)	°	10 / 12	10 / 12	10 / 12	10 / 12	10 / 12	6 / 6	6 / 6
Residual capacity at max height	kg	3500						
Residual capacity without attachment (Industrial load chart)	kg	3500						
Height at max capacity	mm	3400						

Full Visibility Triplex		FVT 33
h2 - Free lift	mm	82
h1 - Height mast lowered *	mm	1826
h3 - Lifting Height	mm	3300
h4 - Height mast extended *	mm	4027
$\alpha / \beta$ - Mast inclination (front / rear)	°	10 / 12



Siège Social

430 rue de l'Aubinière - 44150 Ancenis Cedex - France

Tel: +33(0)2 40 09 10 11 - Fax: +33 (0)2 40 09 10 97

[www.manitou.com](http://www.manitou.com)



This brochure describes versions and configuration options for Manitou products which may be fitted with different equipment. The equipment described in this brochure may be standard, optional or not available depending on version. Manitou reserves the right to change the specifications shown and described at any time and without prior warning. The manufacturer is not liable for the specifications given. For more information, contact your Manitou dealer. Non-contractual document. Product descriptions may differ from actual products. List of specifications is not comprehensive. The logos and visual identity of the company are the property of Manitou and may not be used without authorisation. All rights reserved. The photos and diagrams contained in this brochure are provided for information only.

MANITOU BF SA - Limited company with board of directors - Share capital: 39,668,399 euros - 857 802 508  
RCS Nantes