

Technical sheet :

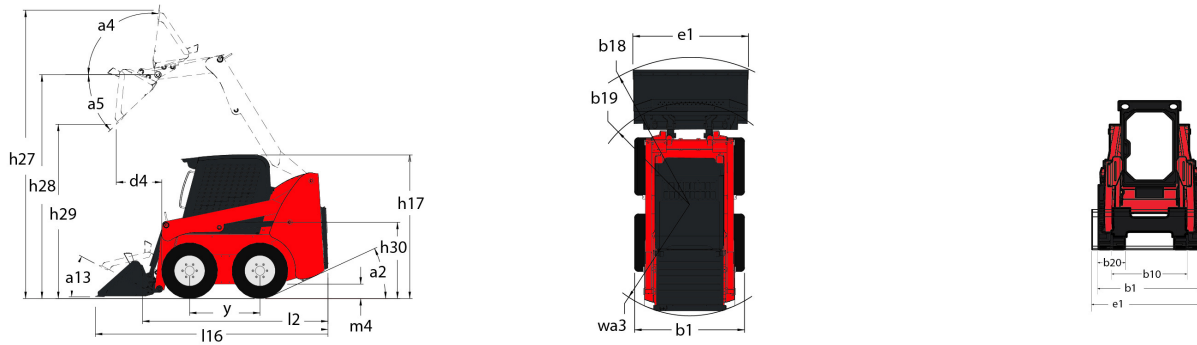
# **1900 R**

---



Capacities		Metric	Imperial
Rated Operating Capacity		862 kg	1900 lbs
Rated Operating Capacity with Optional Counterweight		957 kg	2110 lbs
Unladen weight		3121 kg	6881 lbs
Weight and dimensions			
Overall Operating Height - Fully Raised	h27	4013 mm	157.992 in
Height to Hinge Pin - Fully Raised	h28	3061 mm	120.512 in
Overall Height to Top of Rops	h17	2032 mm	80 in
Dump angle at full height	a5	42 °	42 °
Dump height	h29	2311 mm	90.984 in
Overall length with bucket	l16	3226 mm	127.008 in
Dump reach at full height		572 mm	22.52 in
Rollback at ground		26 °	26 °
Seat to ground height	h30	991 mm	39.016 in
Wheelbase	y	1067 mm	42.008 in
Overall width less bucket	b1	1638 mm	64.488 in
Bucket Width	e1	1676 mm	65.984 in
Ground clearance	m4	165 mm	6.496 in
Overall length - Less Bucket	l2	2388 mm	94.016 in
Departure angle	a2	25 °	25 °
Clearance Circle - Rear	wa1	1486 mm	58.504 in
Performances			
Travel speed (unladen)		12.1 km/h	7.5 mph
Travel Speed with Two-Speed Option - Maximum		20.1 km/h	12.5 mph
Wheels			
Standard tyres		10.00x16.5 HD	10.00x16.5 HD
Engine			
Engine brand		Yanmar	Yanmar
Engine model		4TNV98C-NMS	4TNV98C-NMS
Gross Power (kW)		51.7 kW	51.7 kW
Net Power (kW)		51 kW	51 kW
Max. torque / Engine rotation		241 Nm/m / 2500 tr/min	241 Nm/m / 2500 tr/min
Battery		12 V	12 V
Starter (kW)		3 kW	3 kW
Hydraulics			
Auxiliary hydraulics		70.1 l/min	70.1 l/min
Auxiliary Hydraulic Pressure		207 Bar	14 PSI
High-Flow Auxiliary Hydraulics - Option (L/min)		119 l/min	119 l/min
High-Flow Auxiliary Hydraulics Pressure - Option		200 Bar	14 PSI
Tank capacities			
Fuel tank		62.50 l	13.75 gal
Reservoir Capacity Hydraulics		30.30 l	6.67 gal
Displacement		3.30 l	0.73 gal
Noise and vibration			
Environmental noise (LwA)		101 dB(A)	101 dB(A)
Noise at driving position (LpA)		85 dB(A)	85 dB(A)
Whole-Body Vibration (ISO 2631-1)		<0.80 m/s <sup>2</sup>	<0.80 m/s <sup>2</sup>
Vibration to whole hand/arm		<1.30 m/s <sup>2</sup>	<1.30 m/s <sup>2</sup>

## Dimensional drawing



## Equipment

---	
Hydrostatic Drive - Servo	Standard
Integral Access Plate (removable)	Standard
Selectable Self-Leveling Hydraulic Lift Action 4	Optional
<b>Lifting function</b>	
All-Tach® Attachment Mounting System	Standard
Auxiliary Hydraulics	Standard
High-Flow Auxiliary Hydraulics	Optional
Power-A-Tach® Attachment Mounting System	Optional
<b>Lighting</b>	
Work Lights - Front and Rear	Standard
<b>Motorization/Power</b>	
Engine Auto-Shutdown System	Standard
Engine Block Heater	Optional
Two-Speed Drive	Optional
<b>Operator station</b>	
Adjustable Arm Rests / Control Towers 1	Standard
Air conditioning with manual adjustment	Optional
Air suspension seat	Optional
Cab Enclosure	Optional
Dual-Hand Controls	Optional
Foot and Hand Throttles 2	Standard
Gehl T-Bar Controls	Optional
Hand/Foot Controls	Optional
Heating	Optional
High-Back Adjustable Seat	Standard
Horn	Standard
Joystick controls	Optional
ROPS/FOPS Level II Overhead Guard	Standard
Sound Reduction Material	Standard
Suspension Seat - Mechanical	Optional
<b>Safety</b>	
Anti-Vandalism Protection	Standard
Back-Up Alarm	Optional
Brake Control (Auto / Manual)	Standard
Hydraloc™ Safety System	Standard
Lift Arm Support Device	Standard

**Safety**

Operator Restraint Bar

Standard

**Secondary functions**

Counterweight

Optional

Full Instrumentation

Standard

Hydraglide™ Ride Control 3

Optional



Siège Social

430 rue de l'Aubinière - 44150 Ancenis Cedex - France

Tel: +33(0)2 40 09 10 11 - Fax: +33 (0)2 40 09 10 97

[www.manitou.com](http://www.manitou.com)



This brochure describes versions and configuration options for Manitou products which may be fitted with different equipment. The equipment described in this brochure may be standard, optional or not available depending on version. Manitou reserves the right to change the specifications shown and described at any time and without prior warning. The manufacturer is not liable for the specifications given. For more information, contact your Manitou dealer. Non-contractual document. Product descriptions may differ from actual products. List of specifications is not comprehensive. The logos and visual identity of the company are the property of Manitou and may not be used without authorisation. All rights reserved. The photos and diagrams contained in this brochure are provided for information only.

MANITOU BF SA - Limited company with board of directors - Share capital: 39,668,399 euros - 857 802 508  
RCS Nantes