

Technical sheet :

1650 RT



Capacities		Metric	Imperial
Max. capacity	Q	2139 kg	4716 lbs
Operating Weight		3638 kg	8020 lbs
Operating Capacity at 35% Tipping Load		748 kg	1649 lbs
Operating Capacity At 50% Tipping Load		1069 kg	2357 lbs
Tipping capacity		2139 kg	4716 lbs
Weight and dimensions			
Overall Operating Height - Fully Raised	h27	4008 mm	157.795 in
Height to Hinge Pin - Fully Raised	h28	3038 mm	119.606 in
Reach - Fully Raised	dp1	641 mm	25.236 in
Dump angle at full height	a5	39 °	39 °
Dump Height - Fully Raised	h29	2329 mm	91.693 in
Maximum Rollback Angle - Fully Raised	a4	98 °	98 °
Overall Height to Top of Rops	h17	1969 mm	77.52 in
Overall length with bucket	l16	3205 mm	126.181 in
Overall Length without Bucket	l1	2393 mm	94.213 in
Specified Height	h31	1638 mm	64.488 in
Reach at Specified Height	r4	559 mm	22.008 in
Dump angle at specified height	a17	73 °	73 °
Maximum Rollback Angle at Ground	a13	28 °	28 °
Carry Position	d5	198 mm	7.795 in
Maximum Rollback Angle at Carry Position	a14	28 °	28 °
Digging Position	h32	53 mm	2.087 in
Angle of Departure with STD Counterweight		28 °	28 °
Ground clearance	m4	185 mm	606 ft 11 in
Track gauge	b10	1356 mm	53.386 in
Track Shoe Width	b20	320 mm	12.598 in
Crawler base	y2	1265 mm	49.803 in
Overall width less bucket	b1	1676 mm	65.984 in
Bucket Width	e1	1676 mm	65.984 in
Clearance Radius - Front with Bucket		1979 mm	77.913 in
Clearance Circle - Rear	wa1	1440 mm	56.693 in
Maximum rollback at specified height		62 °	62 °
Angle of Approach		90 °	90 °
Grouser Height		25 mm	0.984 in
Track Type / Track Rollers / Roller Type		Rubber / 3 / Steel	Rubber / 3 / Steel
Performances			
Ground Speed - Single Speed		10.5 km/h	6.5 mph
Ground Speed - Two Speed		16.1 km/h	10 mph
Drawbar Pull/Tractive Effort		4345 kg	9579 lbs
Bucket Breakout - Tilt Cylinder		1919 kg	4231 lbs
Bucket Breakout - Lift Cylinder		2295 kg	5060 lbs
Engine			
Engine brand		Yanmar	Yanmar
Engine model		4TNV98C-NMS2	4TNV98C-NMS2
Motor Type		Radial Piston	Radial Piston
Gross Power (kW) / Gross Power		51.7 kW / 2500 tr/min	51.7 kW / 2500 tr/min
Net Power (kW) / Net Power		51 kW / 2500 tr/min	51 kW / 2500 tr/min
Max. torque		241 Nm/m	241 Nm/m
Battery		12 V	12 V
Cold Cranking Amps at Temperature (CCA)		950	950
Alternator - Voltage / Ampere		12 V / 100 A	12 V / 100 A
Hydraulics			
Auxiliary hydraulics		71 l/min	71 l/min
Tank capacities			
Oil Pan Capacity		9 l	1.98 gal
Hydraulic tank capacity		39 l	8.58 gal
Fuel tank		62.50 l	13.75 gal
Coolant Capacity		12.90 l	2.84 gal
Displacement / Number of cylinders		3.30 l / 4	0.73 gal / 4
Miscellaneous			

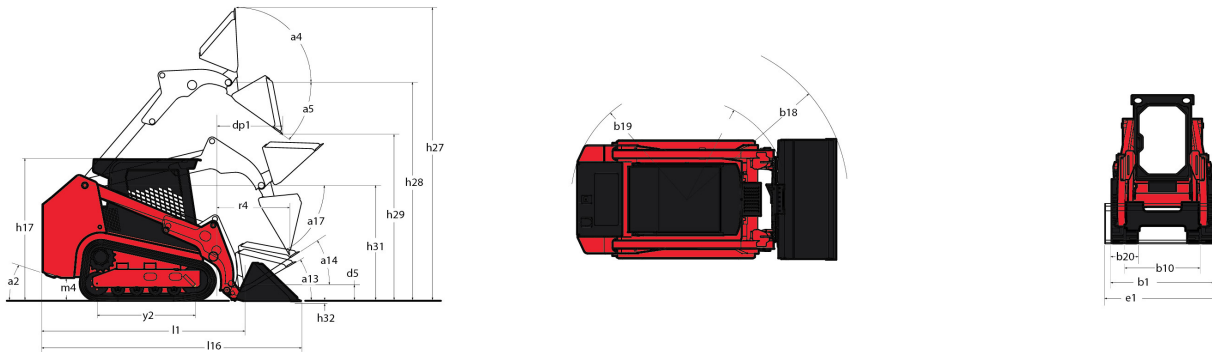
Miscellaneous

Ground Pressure

0 Bar

0 PSI

Dimensional drawing



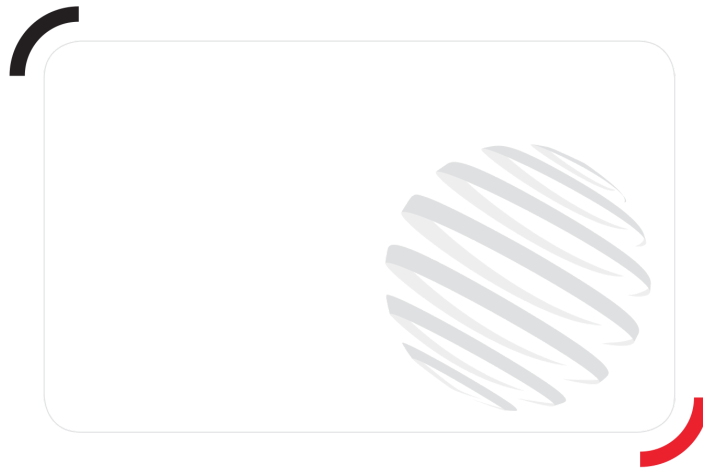
Equipment

Selectable Self-Leveling Hydraulic Lift Action 4	Optional
Lifting function	
All-Tach® Attachment Mounting System	Standard
Auxiliary Hydraulics	Standard
Electronic Attachment Control - 14-Pin Connector	Optional
High-Flow Auxiliary Hydraulics	Optional
IdealTrax™ Automatic Track Tensioning System	Standard
Power-A-Tach® Attachment Mounting System	Optional
Motorization/Power	
Combination Radiator & Hydraulic Oil Cooler	Standard
Dual-Element Air Cleaner with Indicator	Standard
Engine Auto-Shutdown System	Standard
Glowplugs Starts Assist	Standard
Servo-Controlled Hydrostatic Drive	Standard
Two-Speed Hydrostatic Drive System	Standard
Operator station	
Air suspension seat	Optional
Foot Throttle	Standard
Full-Suspension Seat	Standard
Multi-Function Function Display Screen	Standard
Pressurized Cab Enclosure with A/C	Optional
Rearview Camera	Optional
ROPS/FOPS Level II Overhead Guard	Standard
Sliding Side Windows	Standard
Swing-out Cab Door	Standard
Pneumatics	
Rubber Track Undercarriage System	Standard
Single Flange Front/Dual Flange Rear Idlers	Standard
Safety	
Anti-Vandalism Lock Provisions	Standard
Back-Up Alarm	Optional
Easy Manager	Standard
Engine Alert System with Error Display	Standard
Mechanical Lift Cylinder Lock	Standard
Secondary functions	
Counterweight	Standard

Secondary functions

Dedicated Undercarriage

Standard



Siège Social

430 rue de l'Aubinière - 44150 Ancenis Cedex - France

Tel: +33(0)2 40 09 10 11 - Fax: +33 (0)2 40 09 10 97

www.manitou.com



This brochure describes versions and configuration options for Manitou products which may be fitted with different equipment. The equipment described in this brochure may be standard, optional or not available depending on version. Manitou reserves the right to change the specifications shown and described at any time and without prior warning. The manufacturer is not liable for the specifications given. For more information, contact your Manitou dealer. Non-contractual document. Product descriptions may differ from actual products. List of specifications is not comprehensive. The logos and visual identity of the company are the property of Manitou and may not be used without authorisation. All rights reserved. The photos and diagrams contained in this brochure are provided for information only.

MANITOU BF SA - Limited company with board of directors - Share capital: 39,668,399 euros - 857 802 508
RCS Nantes