

Technical sheet :

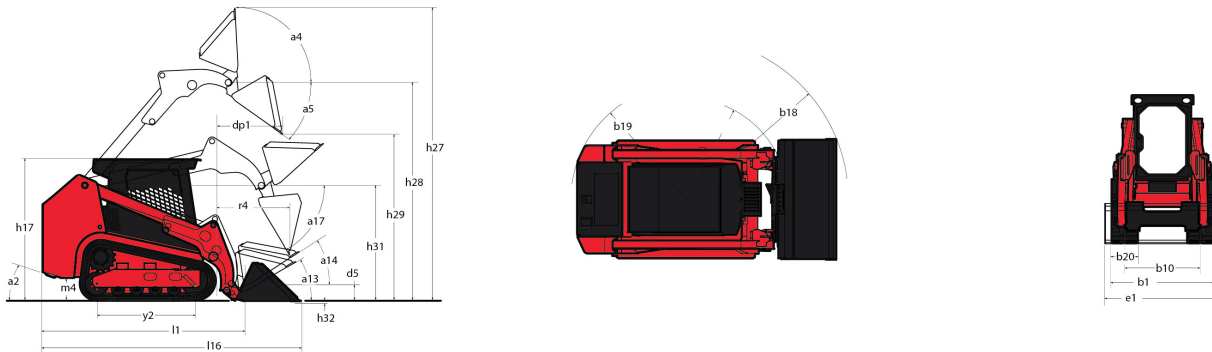
2150 RT



Capacities		Metric	Imperial
Max. capacity	Q	2787 kg	6144 lbs
Operating Weight		4491 kg	9901 lbs
Operating Capacity at 35% Tipping Load		975 kg	2150 lbs
Operating Capacity At 50% Tipping Load		1393 kg	3071 lbs
Tipping capacity		2787 kg	6144 lbs
Weight and dimensions			
Overall Operating Height - Fully Raised	h27	4267 mm	167.992 in
Height to Hinge Pin - Fully Raised	h28	3251 mm	127.992 in
Reach - Fully Raised	dp1	876 mm	34.488 in
Dump angle at full height	a5	39 °	39 °
Dump Height - Fully Raised	h29	2489 mm	97.992 in
Maximum Rollback Angle - Fully Raised	a4	102.5 °	102.5 °
Overall Height to Top of Rops	h17	2111 mm	83.11 in
Overall length with bucket	l16	3769 mm	148.386 in
Departure angle	a2	29.2 °	29.2 °
Overall Length without Bucket	l1	2959 mm	116.496 in
Specified Height	h31	1720 mm	67.717 in
Reach at Specified Height	r4	795 mm	31.299 in
Dump angle at specified height	a17	75 °	75 °
Maximum Rollback Angle at Ground	a13	30 °	30 °
Carry Position	d5	208 mm	8.189 in
Maximum Rollback Angle at Carry Position	a14	31.6 °	31.6 °
Digging Position	h32	16 mm	0.63 in
Angle of Departure with STD Counterweight		29.2 °	29.2 °
Ground clearance	m4	320 mm	12.598 in
Track gauge	b10	1313 mm	51.693 in
Track Shoe Width	b20	450 mm	17.717 in
Crawler base	y2	1483 mm	58.386 in
Overall width less bucket	b1	1765 mm	69.488 in
Bucket Width	e1	1877 mm	73.898 in
Clearance Radius - Front with Bucket		2403 mm	94.606 in
Clearance Circle - Rear	wa1	1641 mm	64.606 in
Maximum rollback at specified height		66.8 °	66.8 °
Angle of Approach		90 °	90 °
Grouser Height		25 mm	0.984 in
Track Type / Track Rollers / Roller Type		Rubber / 5 / Steel	Rubber / 5 / Steel
Performances			
Ground Speed - Single Speed		9.5 km/h	5.9 mph
Ground Speed - Two Speed		14.2 km/h	8.8 mph
Drawbar Pull/Tractive Effort		5503 kg	12132 lbs
Bucket Breakout - Tilt Cylinder		3008 kg	6632 lbs
Bucket Breakout - Lift Cylinder		2940 kg	6482 lbs
Engine			
Engine brand		Yanmar	Yanmar
Engine model		TNV98CT-NMSL	TNV98CT-NMSL
Motor Type		Axial Piston with Planetary Gear Box Reduction	Axial Piston with Planetary Gear Box Reduction
Gross Power (kW) / Gross Power		53.7 kW / 2500 tr/min	53.7 kW / 2500 tr/min
Net Power (kW) / Net Power		52.7 kW / 2500 tr/min	52.7 kW / 2500 tr/min
Max. torque		294 Nm/m	294 Nm/m
Battery		12 V	12 V
Cold Cranking Amps at Temperature (CCA)		850	850
Alternator - Voltage / Ampere		14 V / 100 A	14 V / 100 A
Hydraulics			
Auxiliary hydraulics		82.51 l/min	82.51 l/min
Tank capacities			
Oil Pan Capacity		10.40 l	2.29 gal
Hydraulic tank capacity		52.20 l	11.48 gal
Fuel tank		91 l	20.02 gal
Coolant Capacity		14.40 l	3.17 gal
Displacement / Number of cylinders		3.30 l / 4	0.73 gal / 4

Noise and vibration			
Environmental noise (LwA)		103 dB(A)	103 dB(A)
Noise at driving position (LpA)		83 dB(A)	83 dB(A)
Miscellaneous			
Ground Pressure		0 Bar	0 PSI

Dimensional drawing



Equipment

Selectable Self-Leveling Hydraulic Lift Action 4	Optional
Lifting function	
All-Tach® Attachment Mounting System	Standard
Auxiliary Hydraulics	Standard
Electronic Attachment Control - 14-Pin Connector	Optional
High-Flow Auxiliary Hydraulics	Optional
IdealTrax™ Automatic Track Tensioning System	Standard
Power-A-Tach® Attachment Mounting System	Optional
Motorization/Power	
Combination Radiator & Hydraulic Oil Cooler	Standard
Dual-Element Air Cleaner with Indicator	Standard
Engine Auto-Shutdown System	Standard
Glowplugs Starts Assist	Standard
Two-Speed Hydrostatic Drive System	Standard
Operator station	
Air suspension seat	Optional
Foot Throttle	Standard
Full-Suspension Seat	Standard
IdealAccess™ Fold-Up Door	Optional
Multi-Function Function Display Screen	Standard
Pressurized Cab Enclosure with A/C	Optional
Rearview Camera	Standard
ROPS/FOPS Level II Overhead Guard	Standard
Sliding Side Windows	Standard
Swing-out Cab Door	Standard
Pneumatics	
Rubber Track Undercarriage System	Standard
Single Flange Front/Dual Flange Rear Idlers	Standard
Safety	
Anti-Vandalism Lock Provisions	Standard
Back-Up Alarm	Standard
Easy Manager	Standard
Engine Alert System with Error Display	Standard
Mechanical Lift Cylinder Lock	Standard
Tilt-out Foot Pod	Standard
Secondary functions	

Secondary functions

Counterweight

Dedicated Undercarriage

Standard

Standard



Siège Social

430 rue de l'Aubinière - 44150 Ancenis Cedex - France

Tel: +33(0)2 40 09 10 11 - Fax: +33 (0)2 40 09 10 97

www.manitou.com



This brochure describes versions and configuration options for Manitou products which may be fitted with different equipment. The equipment described in this brochure may be standard, optional or not available depending on version. Manitou reserves the right to change the specifications shown and described at any time and without prior warning. The manufacturer is not liable for the specifications given. For more information, contact your Manitou dealer. Non-contractual document. Product descriptions may differ from actual products. List of specifications is not comprehensive. The logos and visual identity of the company are the property of Manitou and may not be used without authorisation. All rights reserved. The photos and diagrams contained in this brochure are provided for information only.

MANITOU BF SA - Limited company with board of directors - Share capital: 39,668,399 euros - 857 802 508
RCS Nantes